



培凱有限公司

昭津貿易企業有限公司

總公司 高雄市大寮區和發產業園區和業二路36號

TEL 07-788 6950 FAX 07-788 0980

分公司 台中市工業區38路15號

TEL 04-2358 3816 FAX 04-2358 8306

MAIL parjet.co@msa.hinet.net

PARJET CO., LTD.

No.36, Heye 2nd Rd., Daliao Dist.,

Kaohsiung City 83160, Taiwan

TEL 07-788 6950 FAX 07-788-0980

Taichung Office

No. 15, Gongyeyu 38th Rd., Situn District,

Taichung City 407, Taiwan

TEL 04-2358 3816 FAX 04-2358 8306

MAIL parjet.co@msa.hinet.net

PARJET CO., LTD.
www.parjet.com.tw

Unfolding PARJET



Reach out to the world for mutual benefits

Parjet has been committed to the development and production of high-end seals since its establishment in 1991. In addition to importing western automated processing centers, the introduction of Cold Isostatic Press (CIP) equipment, Finite Element Analysis technology (FEA) and measurement system allows Parjet to be a leading sealing solution provider across the globe.

With the 30th anniversary of Parjet, we recognize your contribution to our success. Decades of experience in R&D has led Parjet to develop own-brand products, including HiPerSeal®, HiPerLip®, HiPerFlon®, and ParSeries® which have brought attention to the world. We understand the evolution is ongoing, and we ensure your needs will always be fulfilled.

Product Offerings

Piston Seals	HiPerSeal®
Rod Seals	HiPerLip®
Wipers	HiPerFlon®
Rotary Seals	Mechanical Seals
Guiding Rings (Tapes)	Bearing Isolators

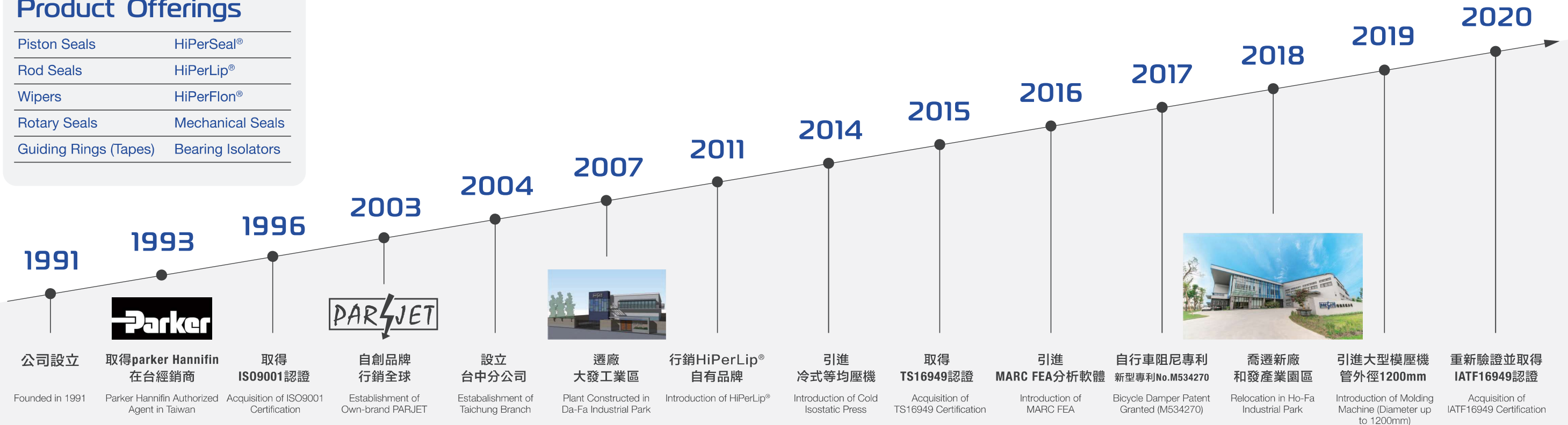
「國際接軌，共創雙贏」

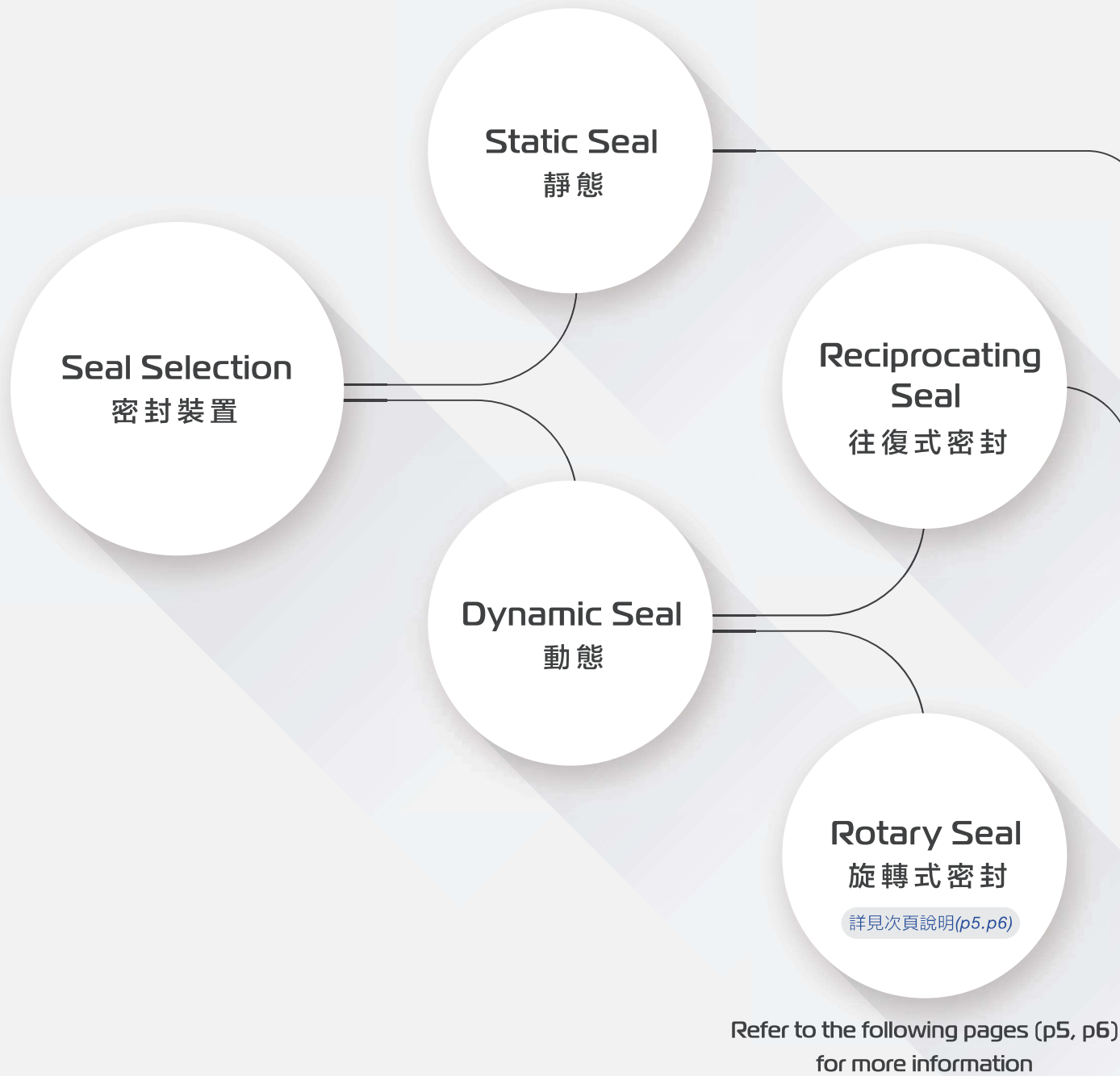
培凱公司自1991年創立以來致力於高端密封件的研發與生產，除導入歐美自動化加工中心外，更投入巨資引進冷式等均壓成形 (CIP, Cold Isostatic Press) 設備及有限元素分析技術 (FEA) 與精密檢驗測試儀器具有與世界先進國家相同的技術水準。

培凱在邁入21世紀及迎接創立三十周年之際誠心感謝各界的支持與鼓勵，除自創品牌 Parjet, HiPerSeal®, HiPerLip®, HiPerFlon®, ParSeries® 會在全球持續發光發熱外，將以更穩健的步伐繼續向前並以最誠摯的態度滿足您的需求期許成為您永遠最好的夥伴。

Main Market

- Petrochemical Industry
- Oil & Gas Industry
- Automotive Industry
- Semi-conductor Industry
- Pharmaceutical Industry
- Food and Beverage Industry
- Mining Industry
- Paper & Pulp Industry
- Infrastructure Industry
- Transportation Industry





靜態 Static Seal

滑動面 Counterface	3000psi 以下 Below 3000 psi	3000~10000psi	W 刮塵 Wiper
內壓 Internal Pressure	VB	VBL	VBW
	HB	HBL	
	EB		
軸用 Rod	HR	HRL	
活塞用 Piston	HP	HPL	
外壓 External Pressure	VC	VCL	VCW
	HC	HCL	
	EC		

往復式密封 Reciprocating Seal

滑動面 Counterface	3000psi 以下 Below 3000psi	3000~10000psi	W 刮塵 Wiper	T 短唇 Short Lip	G 圓唇 Rounded Lip	D 嵌入式 Step-cut	D 嵌入式 + 刮塵唇 Step-cut + Wiper Lip	DG 嵌入式 + 圓唇 Step-cut + Rounded Lip
活塞 Piston	VP	VPL	VPW		VPG	VPD	VPDW	VPDG
	CP	CPL	CPTW	CPT		CPD	CPDW	
軸 Rod	VR	VRL	VRW		VRG	VRD	VRDW	VRDG
	CR	CRL	CRTW	CRT		CRD	CRDW	

● 詳細適用範圍及訂購方式請參照培培公司個別型錄說明
Please contact our sales team for more information



速度 Speed	壓力 Pressure	低速5m/s Low Speed 5m/s	中速5 ~ 12.5 m/s Medium Speed 5 - 12.5 m/s		高速12.5 ~ 30 m/s High Speed 12.5 - 30 m/s	
			鐵殼 Metal	非鐵殼 Machined	鐵殼 Metal	非鐵殼 Machined
低壓 10kg / cm ² 以下 Low Pressure Below 10kg/cm ²		HiPerFlon®	HiPerLip®	HiPerFlon®	HiPerLip®	HiPerFlon®
中壓 10~35kg / cm ² Medium Pressure 10-35kg/cm ²		HiPerSeal®	HiPerLip®		HiPerLip®	
高壓 35kg / cm ² 以上 High Pressure Above 35kg/cm ²		HiPerSeal®	For further details, please contact Parjet			

HiPerLip®					HiPerFlon®			HiPerSeal®			
型式 Profile	壓力 Pressure				型式 Profile	壓力 Pressure		法蘭 Flange	斷面 >5mm Cross Section >5mm	斷面 <5mm Cross Section <5mm	
	35 psi	35~75 psi	75~500 psi	500~750 psi		60psi 以下 Below 60psi	150psi 以下 Below 150psi				
標準 Standard	LA	M1	K2	S2	標準 Standard	NA	NC	VD	VH	VL	
防塵 With Wiper	LW	MW	KW	SW	防塵 With Wiper	NF					
左旋 Anti- clockwise		ML	KL		偏擺 Runout	ND	NE	CD	CH	CL	
右旋 Clockwise		MR	KR		雙向 Double- acting	NK		HD			
偏擺 Runout		MS	KS		雙向 + 防塵 Double- acting with Wiper	NI	NJ				
偏擺 + 防塵 Runout with Wiper	LD	MD	KD		軸徑 大於100mm 需加鐵環支撐	SA	SC	VDW	VHW	VLW	
雙向唇 Double- acting Lip			KB	SB	Shaft Diameter >100mm, Supporting Ring Required						
食品級 Food Application		MA	KA		溫度 大於120°C或 小於-15°C 需加鐵環支撐	SA	SC	CDTW	CHTW	CLTW	
					Temperature >120°C or <-15°C, Supporting Ring Required						

● 詳細適用範圍及訂購方式請參照培培公司個別型錄說明
Please contact our sales team for more information



Type	ParMix®	ParDual®	ParAce®	ParLip®	FloatLip®	ParSave®
Operation Mode	Double-acting		Single-acting	4- Stage		Bearing Isolators
Structure	Mechanical Seal			Lip Seal		
Lubrication	Liquid Lubricated		Product Lubricated	Dry Running		
Shaft Size (mm)	40~200	25~70	25~100	25~100	40~125	20~200
Max. Sliding Speed (m/s)	10	16	16	5	2	25
Max. Pressure abs. (bar)	30	25	25	25	8	0
Max. Temperature (°C)	300	220	220	220	200	120
Axial Movement	●	●	●	●	●	●
Running-out	●				●	●
Application	Chemical Industry	●	●	●	●	●
	Petrochemical Industry	●	●	●	●	●
	Pharmaceutical Industry	●	●	●	●	●
	Power Plant Technology		●	●		
	Food and Beverage Industry	●	●	●	●	●
	Plup and Paper Industry		●	●		●
	Centrifugal Pump		●	●		●
	Gear Pump		●	●	●	●
	Agitator	●			●	●

Seal Face Material (Item1&2)		Secondary Seal Material (Item3)		Spring Material (Item4)		Metal Material (Item5)	
Code	Material Description	Code	Material	Code	Material	Code	Material
Synthetic Carbon		Elastomer		R	SUS304 (1.4301)	R	SUS304 (1.4301)
A	Carbon Graphite, Resin Impreg	B	NBR	V	SUS316 (1.4401)	V	SUS316 (1.4401)
B	Carbon Approved for Foodstuffs	V	Viton (FKM)	C	Has-C (2.4610)	D	SUS316L (1.4435)
C	Carbon Graphite Antimonyimpreg	E	EPDM			T	Ti2 (3.7035)
D	Antimonyimpreg for Dry Running	K	FFKM (Perfluorelastomer)			C	Has-C (2.4610)
G	Resin Impreg for Hot Water						
Carbides		Z	FFKM (Kalrez)				
J	Tungsten Carbide (Co-binder)						
N	R-Sic (Reaction Bonded)						
K	S-Sic (Sintered Pressureless)						
P	Sic (DLC -coated)						
Ceramic		Non-Elastomer					
T	Ceramic (Al-Oxide>99%)	T	PTFE				
Plastic		P	PTFE+23%Carbon +2%Graphite				
U	PTFE+10%EKONOL						
V	PTFE+Specific Compound Material						
Y	PTFE+10%Carbon Fiber						
X	Special Material (Upon Request)						

Seal Ordering Example

ParMix

M125

AKKVV

Product Type

Shaft Diameter

Material Code

● Millimeter → M50, M80, M100, M150..... ● Inch → X2, X3.5, X4.5.....

Color Selection

Rotary Seal Part	Rotating Seal Face	Stationary Seal Face	Stationary Seal Part
Non-Elastomer	Elastomer	Housing, Flange, Cover	Shaft



ParMix(B)[®]

For Top Entry Drive ...
Double Mechanical Seal

Advantages 特點

- 雙端面液體潤滑機械軸封 Double-acting Liquid Lubricated
- 面對面 Face to Face
- 平衡式 Balanced
- 多彈簧靜止型 Multiple Springs Stationary
- 雙向壓力平衡 Double Pressure Balanced
- 可承受軸心偏擺 Run-out Max±1m/m
- 軸封室附裝冷卻水套 Water Jacket for Cooling
- 內裝自動調心軸承 With Integrated Bearing
- 集裝式 Cartridge Unit

Working Conditions

適用範圍

壓力 Pressure : Vacuum~30bar
 溫度 Temperature : -40~200°C(max300°C)*
 周速 Sliding Velocity : Vg=Max 10m/s
 軸徑 Shaft Size : Ø40~Ø200mm

With cooling flange
 以上條件係以單項最大值為限(如超過此範圍時請與培凱洽詢)
 For further details, please contact Parjet.

Materials

材質

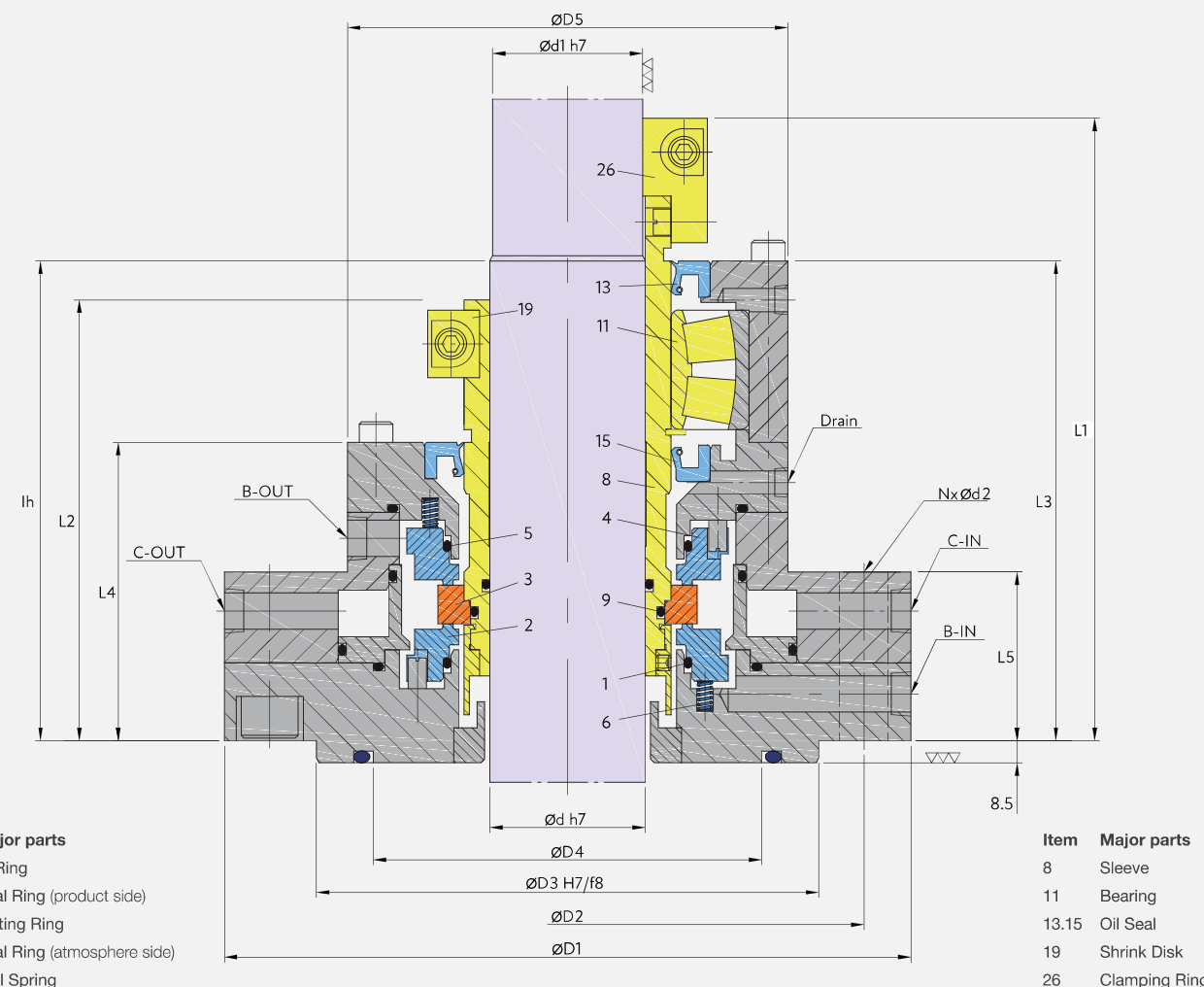
密封面 Seal Face : Vessel side → S-Sic vs Carbon or S-Sic vs S-Sic
 Atm side → S-Sic vs Carbon
 金屬材料 Metal : Vessel side → SUS316 (Special Material upon Request.)
 O Ring : Viton (Standard), EPDM, Chemfluor F668 (FFKM)

FDA 批准(FDA Approval) Available for all product-wetted parts

Applications

應用

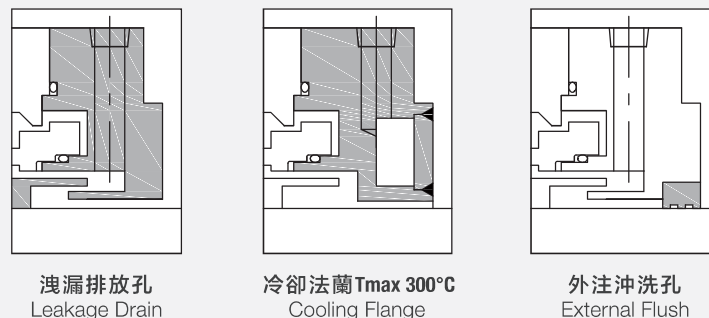
化學品工業 Chemical Industry	食品工業 Food and Beverage Industry
石油化學工業 Petrochemical Industry	反應釜 Reactor
藥品工業 Pharmaceutical Industry	攪拌機 Agitator
聚合物 Polymer	



Item	Major parts	Item	Major parts
1.5.9	O-Ring	8	Sleeve
2	Seal Ring (product side)	11	Bearing
3	Mating Ring	13.15	Oil Seal
4	Seal Ring (atmosphere side)	19	Shrink Disk
6	Coil Spring	26	Clamping Ring

Ød	Ød1	ØD1	ØD2	NxØd2	ØD3	ØD4	ØD5	lh	L1	L2	L3	L4	L5
40	38	175	145	4x18	110	90	110	143	200	140	155	105	65
50	48	240	210	8x18	176	135	150	148	215	145	170	105	65
60	58	240	210	8x18	176	135	170	158	225	155	175	110	65
80	78	275	240	8x22	204	155	195	168	250	165	195	110	65
100	98	305	270	8x22	234	190	210	178	240	170	185	115	65
125	120	330	295	8x22	260	215	255	203	255	170	200	115	65
140	135	395	350	12x22	313	250	270	208	280	185	225	130	75
160	150	395	350	12x22	313	265	290	213	270	185	215	130	75
180	170	445	400	12x22	364	310	320	233	280	185	225	130	75
200	190	445	400	12x22	364	310	350	243	280	185	225	130	75

● Dimensions in Millimeter ● Shaft Diameters d and d1 to DIN 28154 ● Shaft Step to DIN 28154



Options 選配

ParMix[®] Without Bearing(Vg=20m/s)
 ParMix(B)[®] With Integrated Bearing



ParAce®

For Pump, Compressor ...
Single Cartridge Seal

Advantages 特點

- 單組機械軸封 Single Seal
- 平衡式 Balanced
- 多彈簧靜止型 Multiple Springs Stationary
- 卡夾式 Cartridge Seal
- 淋浴式沖洗 Shower Flushing
- 適用DIN,ISO泵浦 For DIN&ISO Pump

Working Conditions

適用範圍

- 壓力 Pressure : FV~25bar
- 溫度 Temperature : -20~220°C
- 周速 Sliding Velocity : Vg=Max 16m/s
- 軸徑 Shaft Size : Ø25(1")~Ø100mm(4")

以上條件係以單項最大值為限(如超過此範圍時請與培凱洽詢)
For further details, please contact Parjet.

Materials

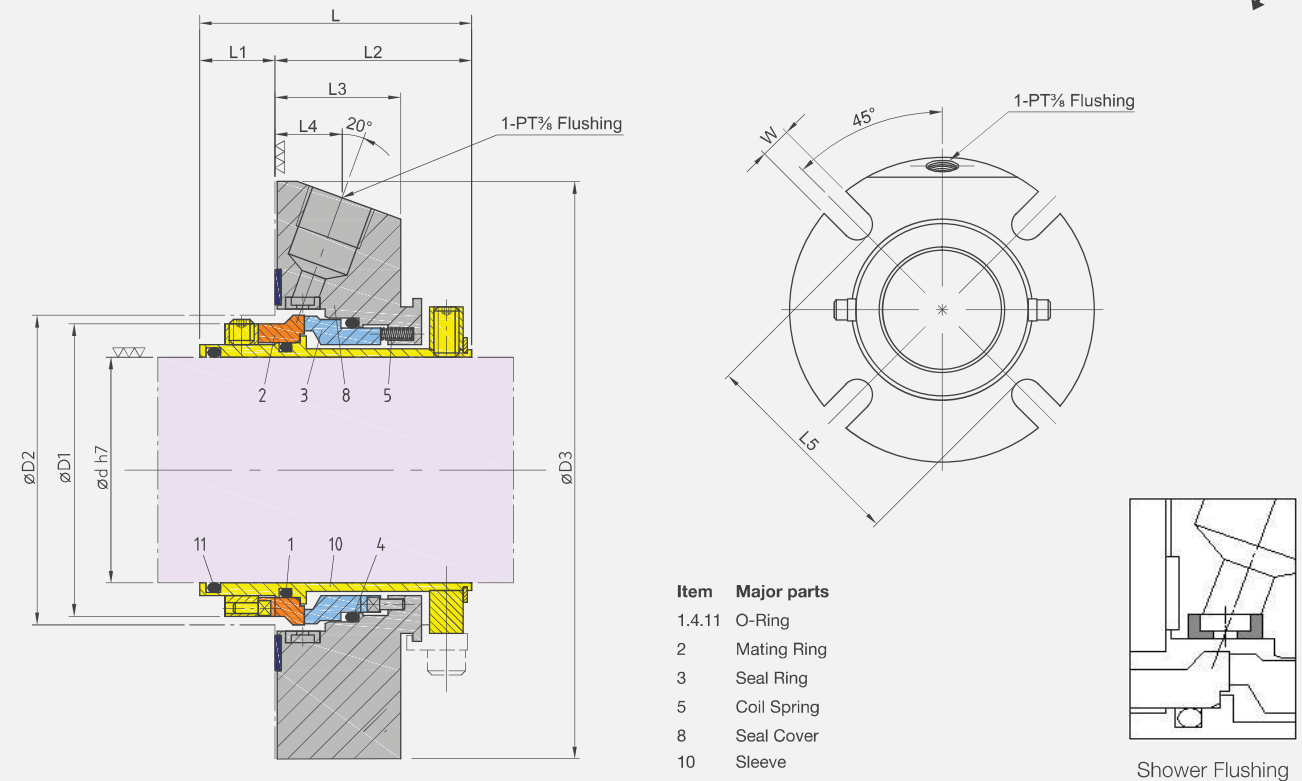
材質

- 密封面 Seal Face : S-Sic x Carbon (Max0.3 wt%)
S-Sic x S-Sic (Max10wt%)
- 金屬材料 Metal : SUS316 (Special Material upon Request.)
- O Ring : Viton (Standard), EPDM, Chemfluor F668 (FFKM)

Applications

應用

- 化學品工業 Chemical Industry
- 石油化學工業 Petrochemical Industry
- 藥品工業 Pharmaceutical Industry
- 火力發電廠 Power Plant Technology
- 食品工業 Food and Beverage Industry
- 造紙工業 Plup and Paper Industry
- 離心式泵浦 Centrifugal Pump



軸徑 (d) Diameter	D1	D2		D3	L	L1	L2	L3	L4	L5	W
		MIN	MAX								
25	43	44	51	108	65	18	47	30	16	62	12
28	45	47	55	108	65	18	47	30	16	65	12
30	46	49	57	108	65	18	47	30	15	67	12
35	50	52	61	118	65	18	47	30	16	72	14
38	55	57	64	128	65	18	47	30	16	75	14
40	57	59	66	128	65	18	47	30	16	80	14
43	59	61	68	138	65	18	47	30	16	80	14
45	60	62	70	138	65	18	47	30	16	82	14
50	68	70	78	138	65	18	47	30	15	90	16
55	70	74	80	138	65	18	47	30	15	90	16
60	78	82	88	148	65	18	47	30	15	102	18
65	84	87	92	158	65	18	47	30	16	109	18
70	92	95	105	168	65	18	47	30	15	118	18
75	96	99	110	178	65	18	47	30	18	120	18
80	104	106	115	188	70	20	50	33	20	125	18
85	109	111	118	198	70	20	50	33	20	128	22
90	113	116	122	198	70	20	50	33	20	138	22
95	116	120	124	198	70	20	50	33	20	138	22
100	124	127	135	208	70	20	50	33	20	148	22

● Dimensions in Millimeter

表示 Code	軸徑 (d) Diameter	D1	D2		D3	L	L1	L2	L3	L4	L5	W
			MIN	MAX								
X16	1.000	1.69	1.73	2.01	4.25	2.56	0.71	1.85	1.18	0.63	2.44	0.47
X18	1.125	1.77	1.85	2.17	4.25	2.56	0.71	1.85	1.18	0.63	2.56	0.47
X22	1.375	1.97	2.05	2.40	4.65	2.56	0.71	1.85	1.18	0.63	2.83	0.55
X24	1.500	2.17	2.24	2.52	5.04	2.56	0.71	1.85	1.18	0.63	2.95	0.55
X28	1.750	2.36	2.44	2.76	5.43	2.56	0.71	1.85	1.18	0.59	3.23	0.55
X30	1.875	2.56	2.64	2.95	5.43	2.56	0.71	1.85	1.18	0.63	3.46	0.55
X32	2.000	2.68	2.76	3.07	5.43	2.56	0.71	1.85	1.18	0.59	3.54	0.63
X36	2.250	2.91	2.99	3.31	5.43	2.56	0.71	1.85	1.18	0.59	3.86	0.63
X40	2.500	3.15	3.27	3.54	6.22	2.56	0.71	1.85	1.18	0.63	4.13	0.71
X42	2.625	3.31	3.43	3.62	6.22	2.56	0.71	1.85	1.18	0.63	4.29	0.71
X44	2.750	3.62	3.74	4.13	6.61	2.56	0.71	1.85	1.18	0.59	4.65	0.71

● Dimensions in Inch



ParDual®

For Pump, Compressor ...
Dual Cartridge Seal

Advantages 特點

- 雙組軸封 Double Seal of Back to Back
- 平衡式 Balanced
- 多彈簧靜止型 Multiple Springs Stationary
- 集裝式設計 Cartridge Seal
- 雙向壓力平衡 Double Pressure Balanced
- 內藏葉片裝置 Integrated Pumping Device

Working Conditions

適用範圍

- 壓力 Pressure : FV~25 bar
- 溫度 Temperature : -20~220°C
- 周速 Sliding Velocity : Vg=Max 16m/s
- 軸徑 Shaft Size : Ø25(1")~Ø70mm(3")

以上條件係以單項最大值為限(如超過此範圍時請與培凱洽詢)
For further details, please contact Parjet.

Materials

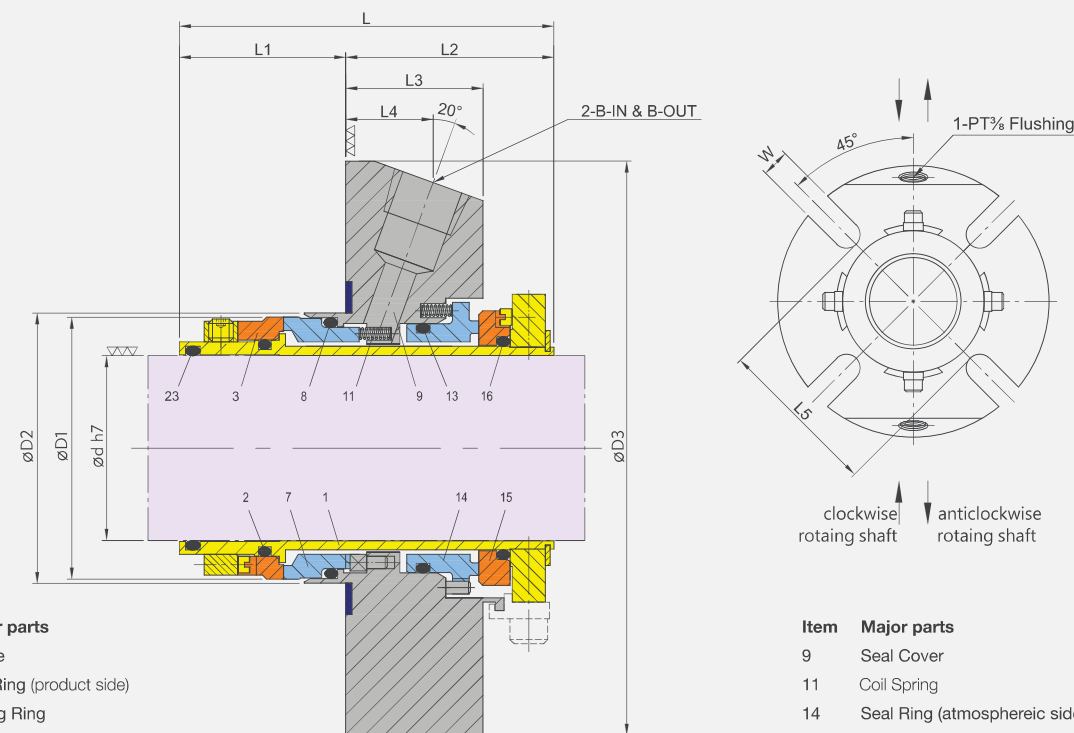
材質

- 密封面 Seal Face : 製程端 (Process side)—S-Sic x Carbon (Max0.3 wt%)
S-Sic x S-Sic (Max10wt%)
大氣端 (Atm side)— S-Sic x Carbon
- 金屬材料 Metal : SUS316 (Special Material upon Request.)
- O Ring : Viton (Standard), EPDM, Chemfluor F668 (FFKM)

Applications

應用

- 化學品工業 Chemical Industry
- 石油化學工業 Petrochemical Industry
- 藥品工業 Pharmaceutical Industry
- 火力發電廠 Power Plant Technology
- 食品工業 Food and Beverage Industry
- 造紙工業 Plup and Paper Industry
- 離心式泵浦 Centrifugal Pump



- | Item | Major parts |
|--------------|--------------------------|
| 1 | Sleeve |
| 2,8,13,16,23 | Seal Ring (product side) |
| 3 | Mating Ring |
| 7 | Seal Ring (product side) |

- | Item | Major parts |
|------|--------------------------------|
| 9 | Seal Cover |
| 11 | Coil Spring |
| 14 | Seal Ring (atmospheric side) |
| 15 | Mating Ring (atmospheric side) |

軸徑 (d) Diameter	D1	D2		D3	L	L1	L2	L3	L4	L5	W
		MIN	MAX								
25	44	46	51	108	90	40	50	33	16	62	12
28	48	50	55	108	90	40	50	33	17	65	12
30	48	50	57	108	90	40	50	33	17	67	12
32	51	53	60	118	90	40	50	33	17	70	14
35	54	55	61	118	90	40	50	33	17	72	14
38	56	58	64	128	90	40	50	33	19	75	14
40	59	61	66	128	90	40	50	33	18	80	14
43	61	63	68	138	90	40	50	33	19	80	14
45	63	65	70	138	90	40	50	33	21	82	14
48	67	69	75	138	90	40	50	33	18	88	14
50	72	74	78	138	90	40	50	33	15	90	14
55	74	76	80	138	90	40	50	33	17	95	14
60	82	84	88	148	90	40	50	33	17	102	18
65	85	88	92	158	91	40	51	33	18	109	18
70	94	96	105	168	91	40	51	33	18	118	18

● Dimensions in Millimeter

表示 Code	軸徑 (d) Diameter	D1	D2		D3	L	L1	L2	L3	L4	L5	W
			MIN	MAX								
X16	1.000	1.73	1.81	2.01	4.25	3.54	1.57	1.97	1.30	0.63	2.44	0.47
X18	1.125	1.89	1.97	2.17	4.25	3.54	1.57	1.97	1.30	0.67	2.56	0.47
X20	1.250	2.01	2.09	2.36	4.65	3.54	1.57	1.97	1.30	0.67	2.76	0.55
X22	1.375	2.13	2.20	2.40	4.65	3.54	1.57	1.97	1.30	0.67	2.83	0.55
X24	1.500	2.20	2.28	2.52	5.04	3.54	1.57	1.97	1.30	0.75	2.95	0.55
X26	1.625	2.40	2.48	2.68	5.43	3.54	1.57	1.97	1.30	0.67	3.15	0.55
X28	1.750	2.48	2.56	2.76	5.43	3.54	1.57	1.97	1.30	0.83	3.23	0.55
X30	1.875	2.64	2.72	2.95	5.43	3.54	1.57	1.97	1.30	0.71	3.46	0.55
X32	2.000	2.83	2.91	2.99	5.43	3.54	1.57	1.97	1.30	0.59	3.54	0.55
X34	2.125	2.91	2.99	3.07	5.43	3.54	1.57	1.97	1.30	0.67	3.74	0.55
X36	2.250	3.03	3.07	3.31	5.43	3.54	1.57	1.97	1.30	0.67	3.86	0.55
X38	2.375	3.23	3.31	3.46	5.83	3.54	1.57	1.97	1.30	0.67	4.02	0.71
X40	2.500	3.27	3.35	3.54	6.22	3.54	1.57	1.97	1.30	0.67	4.13	0.71
X42	2.625	3.35	3.46	3.62	6.22	3.58	1.57	2.01	1.30	0.71	4.29	0.71
X44	2.750	2.75	3.78	4.13	6.61	3.58	1.57	2.01	1.30	0.71	4.65	0.71

● Dimensions in Inch



ParLip® PTFE Reinforced Lip Seal

For Gear Pump, Agitator, Mixer ...

Advantages 特點

- 特殊高級的PTFE複合材料 Highly Resistant PTFE Compound
- 乾運轉 Dry Running
- 不需額外的輔助設備 Non-supply System
- 模組化具靈活彈性 Modular and Flexible Construction
- 允許軸向位移 ±2.0 mm (Axial Movement: ±2.0 mm)
- 4段式唇封 4-arrangement HiperLip
- 客製化 Customization
- 集裝式 Cartridge Unit

Working Conditions

適用範圍

- 壓力 Pressure : FV~25bar
- 溫度 Temperature : -20~220°C
- 周速 Sliding Velocity : Vg= Max 5m/s
- 軸徑 Shaft Size : Ø30~Ø100mm

以上條件係以單項最大值為限(如超過此範圍時請與培凱洽詢)
For further details, please contact Parjet.

Materials

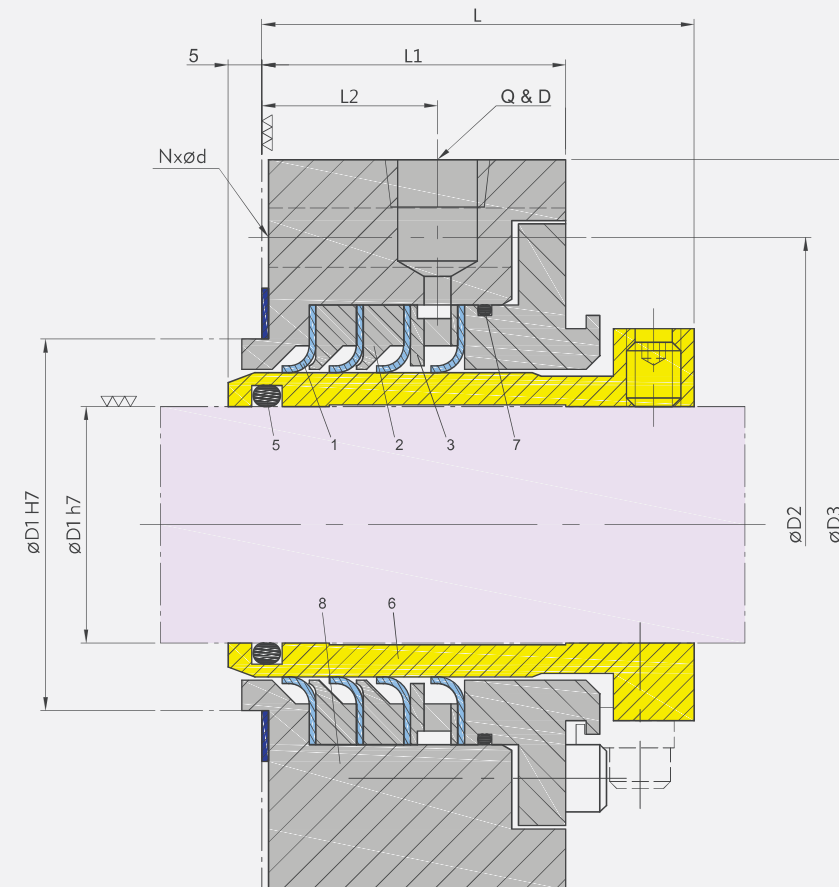
材質

- 唇形密封 Lip Seal : 耐化學抵抗的PTFE複合材料 Highly Resistant PTFE Compound
- 金屬材料 Metal : SUS316 (Special Material upon Request.)
- O Ring : Viton (Standard), EPDM, Chemfluor F668(FFKM)

Applications

應用

- 化學品工業 Chemical Industry
- 石油化學工業 Petrochemical Industry
- 藥品工業 Pharmaceutical Industry
- 無毒的介質 Non-toxic Media
- 食品工業 Food and Beverage Industry
- 攪拌機 Agitator
- 齒輪泵 Gear Pump

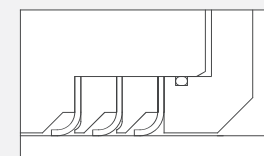


- | Item | Major parts |
|------|--------------|
| 1 | Lip Seal |
| 2 | Stopper |
| 3 | Lantern Ring |
| 5.7 | O-ring |
| 6 | Sleeve |
| 8 | Seal Cover |

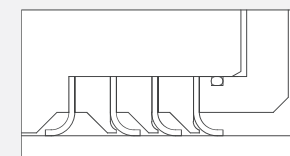
Ød	ØD1	ØD2	NxØd	ØD3	L	L1	L2	Piping
30	50	80	4x10	98	64	45	26	PT1/4"
35	55	85	4x10	108	64	45	26	
40	60	90	4x12	108	64	45	26	
45	65	95	4x12	118	64	45	26	
50	70	100	4x12	118	64	45	26	
55	75	105	4x12	128	64	45	26	
60	80	110	4x12	128	64	45	26	
65	85	105	4x12	138	64	45	26	
70	90	120	4x12	138	64	45	26	
75	95	125	4x12	148	64	45	26	
80	100	130	4x12	148	64	45	26	
85	115	135	4x12	158	64	45	26	
90	120	150	4x14	178	64	45	26	
95	125	155	4x14	188	64	45	26	
100	130	160	4x14	188	64	45	26	

● Dimensions in Millimeter

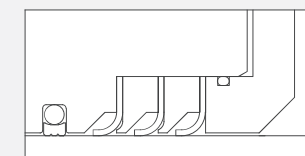
Options 選配



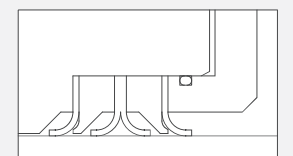
3 Arrangement



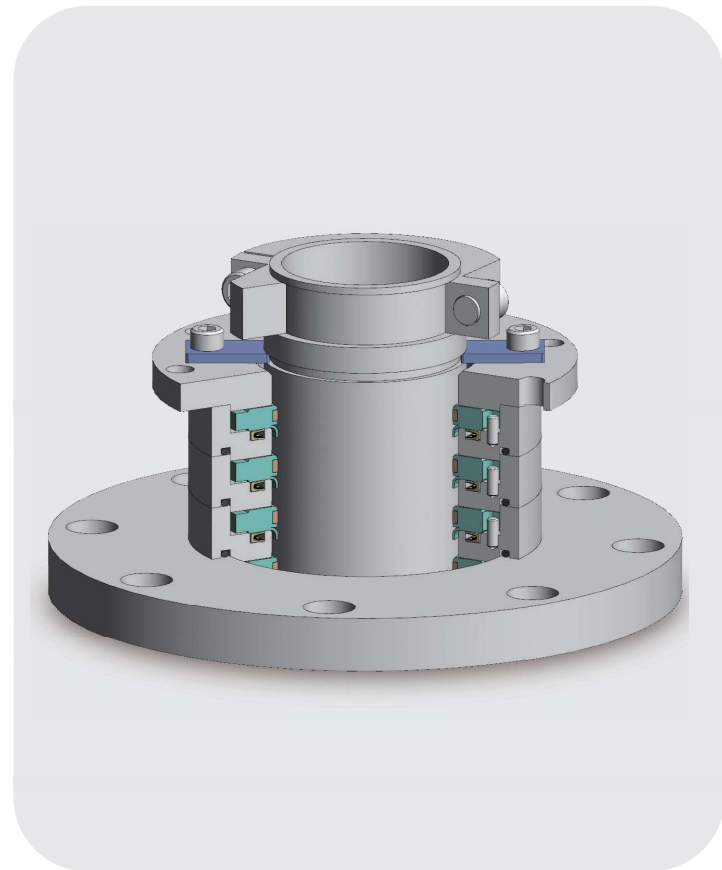
Vacuum



TR Seal



Pressure & Vacuum



FloatLip® PTFE Reinforced Lip Seal

For Agitator, Mixer ...

Advantages 特點

- 特殊高級的PTFE複合材料 Highly Resistant PTFE Compound
- 乾運轉 Dry Running
- 不需額外的輔助設備 Non-supply System
- 模組化具靈活彈性 Modular and Flexible Construction
- 允許軸向位移 ±3.0 mm (Axial Movement: ±3.0 mm)
- 可承受軸心偏擺 Run-out Max±1m/m
- 客製化 Customization
- 集裝式 Cartridge Unit

Working Conditions

適用範圍

- 壓力 Pressure : FV~8 bar
- 溫度 Temperature : -20~220°C
- 周速 Sliding Velocity : Vg= Max 2m/s
- 軸徑 Shaft Size : Ø40~Ø125mm

以上條件係以單項最大值為限(如超過此範圍時請與培凱洽詢)
For further details, please contact Parjet.

Materials

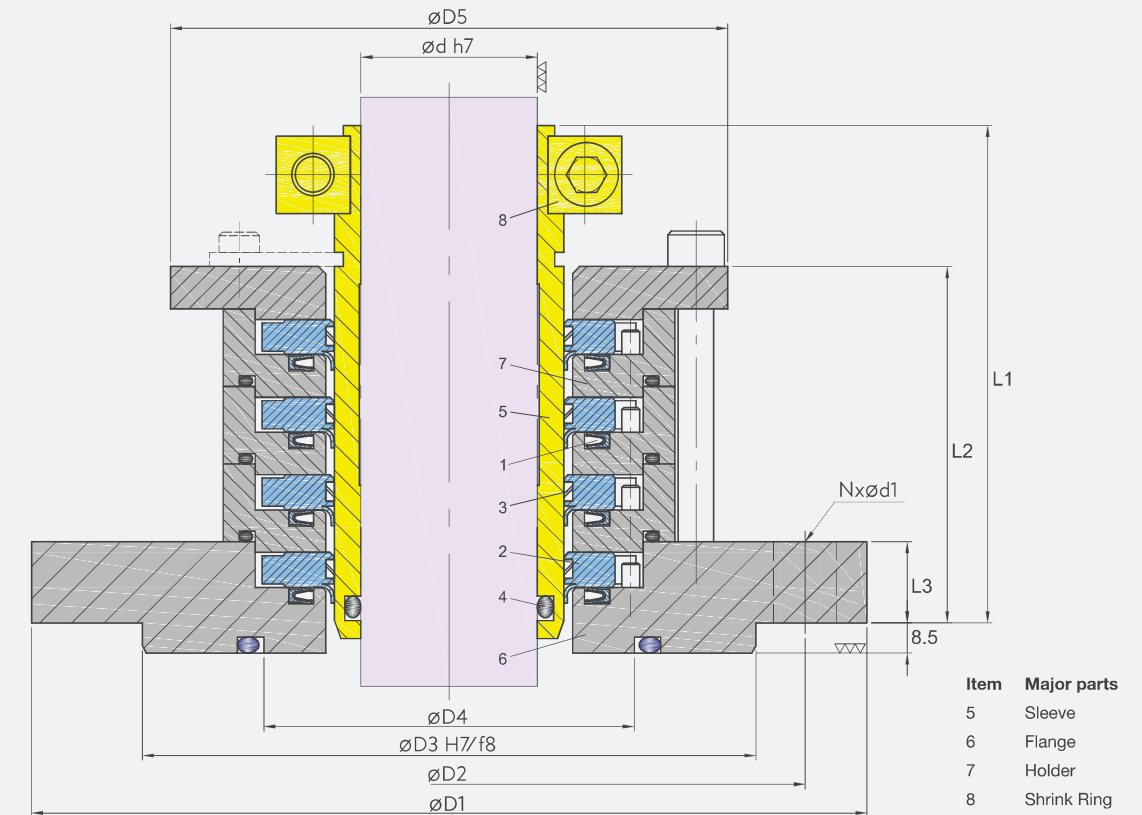
材質

- 唇形密封 Lip Seal : Chemically Highly Resistant PTFE Compound
- 次密封 Secondary Seal : FKM (Viton), EPDM, Chemfluor F668 (FFKM)
- 金屬材料 Metal : SUS316 (Special Material upon Request.)

Applications

應用

- | | |
|---|--|
| <ul style="list-style-type: none"> 化學品工業 Chemical Industry 石油化學工業 Petrochemical Industry 藥品工業 Pharmaceutical Industry 無毒的介質 Non-toxic Media | <ul style="list-style-type: none"> 食品工業 Food and Beverage Industry 反應釜 Reactor 攪拌機 Agitator |
|---|--|



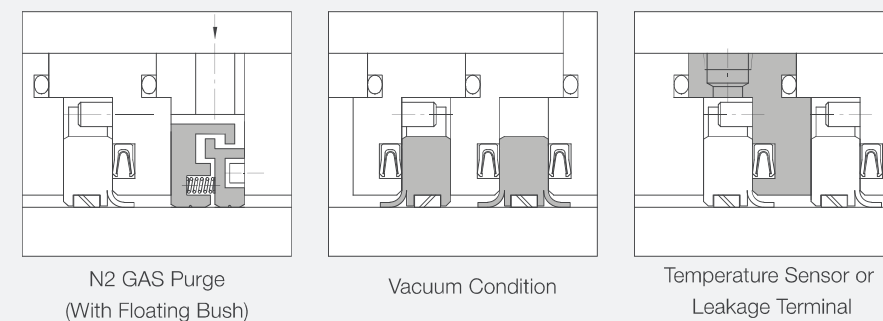
- | Item | Major parts |
|------|-------------|
| 1 | VB Ring |
| 2 | Float Lip |
| 3 | Wear Ring |
| 4 | O-Ring |

- | Item | Major parts |
|------|-------------|
| 5 | Sleeve |
| 6 | Flange |
| 7 | Holder |
| 8 | Shrink Ring |

Ød	ØD1	ØD2	N x Ød1	ØD3	ØD4	ØD5	L1	L2	L3
40	175	145	4x18	110	90	148	135	95	23
50	240	210	8x18	176	135	158	135	95	23
60	240	210	8x18	176	135	168	135	95	23
80	275	240	8x22	204	155	188	135	95	23
100	305	270	8x22	234	190	228	140	100	28
125	330	295	8x22	260	215	248	140	100	28

- Dimensions in Millimeter
- Shaft Diameters d and d1 to DIN 28154
- Shaft Step to DIN 28154

Options 選配





ParSave®

Bearing Isolator ...

Advantages 特點

- 非接觸設計 Non-contact Design
- 允許軸向位移 Axial Movement
- 不需潤滑介質 No Lubrication Required
- 免安裝工具 No Installation Jig
- 可承受軸心偏擺 Run-out Max±1m/m
- 客製化 Customization
- 集裝式 Cartridge Unit

Working Conditions

適用範圍

壓力 Pressure : 0 bar
 溫度 Temperature : -40~120°C
 周速 Sliding Velocity : Vg= : Max 25m/s
 軸徑 Shaft Size : Ø20~Ø200mm

以上條件係以單項最大值為限(如超過此範圍時請與培凱洽詢)
 For further details, please contact Parjet.

Materials

材質

標準材料 Material : 特殊PTFE複合材料 (Proprietary PTFE Compound)
 其他 Other Required : Food Grade (Special Material upon Request.)
 O Ring : Viton (Standard), EPDM, Chemfluor F668 (FFKM)

Applications

應用

化學品工業 Chemical Industry 石油化學工業 Petrochemical Industry 藥品工業 Pharmaceutical Industry 無毒的介質 Non-toxic Media	食品工業 Food and Beverage Industry 泵浦 Pump 攪拌機 Agitator 齒輪箱 Gearbox
---	---

ORDERING EXAMPLE

PSM - 0050 - 0080 - Y - 1

↓	↓	↓	↓	↓	↓
ParSave	M→Metric X→Inch	Shaft Dia.=50mm	Bore Dia.=80mm	Seal Material	O ring Material

Example PSX - 1750 - 2625 - P - 4

↓	↓	↓	↓	↓	↓
Inch spec	Shaft Dia.=1.75"	Bore Dia.=2.625"	Seal Material	O ring Material	

	Mounting		Lubrication		
	Position	Grease	Oil	Dry	
Horizontal	Y	Y	Y	Y	
Verical	Y	Y	Y	Y	
Verical Down	Y	Y	N	Y	

Material Codes

Seal Material		O ring Material	
代碼	材料特性	代碼	材料
T	01T (PTFE)	1	Viton(FKM)
O	03T	2	NBR
F	06T	3	Aflas
Y	09T	4	Silicone
X	Required	5	FFKM (Perfluorelastomer)

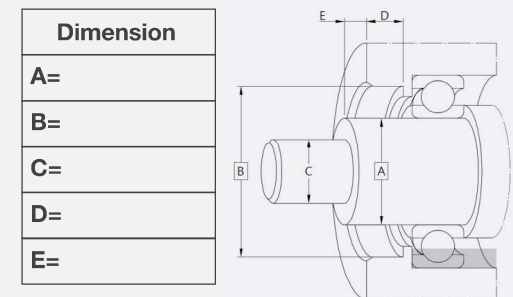
ParSave® Selection Info ParSave® 選擇資訊

Equipment Type : _____ Manufacturer : _____ Model : _____

Lubricant : Oil Grease Dry Running Speed : _____ RPM FDA Material Required : No Yes

- | | | |
|--|--|--|
| Lubrication System :
<input type="checkbox"/> Splash, Oil Level at/below Centerline of Bearing Roller
<input type="checkbox"/> Flooded, Oil Level Above Shaft
<input type="checkbox"/> Oil Mist
<input type="checkbox"/> Grease with Purge System | Shaft Movement :
<input type="checkbox"/> Rotate
<input type="checkbox"/> Oscillate
<input type="checkbox"/> Recipocate
<input type="checkbox"/> Static | Shaft Position :
<input type="checkbox"/> Horizontal
<input type="checkbox"/> Vertical Up
<input type="checkbox"/> Vertical Down |
|--|--|--|

- | | |
|--|--|
| Media Sealed Out :
<input type="checkbox"/> Dry, Moderate Dust
<input type="checkbox"/> Dry, Heavy Dust
<input type="checkbox"/> Wet, Light Spray
<input type="checkbox"/> Wet, Heavy Spray | Internal Pressure : <input type="checkbox"/> No <input type="checkbox"/> Yes _____ Psi
Minimum Temperature : _____ °C
Average Temperature : _____ °C
Maximum Temperature : _____ °C |
|--|--|



GENERAL DATA 一般資訊

日期 Date		參考no. Ref. No.	
客戶 Customer			
地址 Address		Tel No. Fax No.	
聯絡人 Contact Person			

EQUIPMENT DATA 設備資訊

廠牌 Manufacturer			設備名稱 Equipment Name	<input type="checkbox"/> Pump, Compressor...
型號 Model No.	Tak No.			<input type="checkbox"/> Agitator, Mixer...
				<input type="checkbox"/> Etc
位置 Location	<input type="checkbox"/> 上部傳動 Top Drives <input type="checkbox"/> 下部傳動 Bottom Drives <input type="checkbox"/> 側邊傳動 Side Drives			
迴轉方向 Rotation	<input type="checkbox"/> 順時針方向 Clockwise <input type="checkbox"/> 逆時針方向 Anticlockwise		轉速 Speed	RPM
冷卻系統 Cooling System	<input type="checkbox"/> 有 Yes <input type="checkbox"/> 無 No		加熱系統 Heating System	<input type="checkbox"/> 有 Yes <input type="checkbox"/> 無 No

OPERATING CONDITIONS 操作條件

介質/製程液 Media/Product		濃度 Concentration		PH值 PH-value	
黏性 Viscosity		Kg/m s	比重 Specific Gravity		Kg/m3
<input type="checkbox"/> 潔淨 Clean <input type="checkbox"/> 固體 Solids <input type="checkbox"/> 砂質狀 Abrasive <input type="checkbox"/> 腐蝕性 Corrosive <input type="checkbox"/> 毒性 Toxic <input type="checkbox"/> 結晶性 Crystalline					
固體佔比 % of Solids	%	固體大小 Size of the Solid		溫度 Temperature	°C
填料函壓力 Stuffing Box Pressure		bar kg/cm ² G	沸點 Boiling Point		°C
吸入口壓力 Suction Pressure		bar kg/cm ² G	凝固點 Freezing Point		°C
吐出口/排放口壓力 Discharge Pressure		bar kg/cm ² G	註記 Remarks		
桶槽壓力 Vessel Pressure		bar kg/cm ² G			

MECHANICAL SEAL IN OPERATION 目前使用中的機械軸封

型式 Type		材質 Material		Acc. DIN	
製造商名 Manufacturer			製造商供給系統 Manufacturer Supply System		
<input type="checkbox"/> 單組軸封 Single Seal <input type="checkbox"/> 雙組軸封 Double Seal <input type="checkbox"/> 卡匣式軸封 Cartridge Seal <input type="checkbox"/> 軸封零件 Component Seal <input type="checkbox"/> 填料函 Packing Stuffing Box Packing <input type="checkbox"/> 其他 Etc.					
所安裝的API Plan Installed API Plan			已安裝軸封已運作的時間 Running time of the installed Seal		
<input type="checkbox"/> 單組軸封 Single Seal <input type="checkbox"/> 雙組軸封 Double Seal <input type="checkbox"/> 卡匣式軸封 Cartridge Seal <input type="checkbox"/> 軸封零件 Component Seal <input type="checkbox"/> 填料函 Packing Stuffing Box Packing					
API Plan					
緩衝液 Buffer Fluid			註記 Remarks		



PARJET

Profession | Passion | Innovation